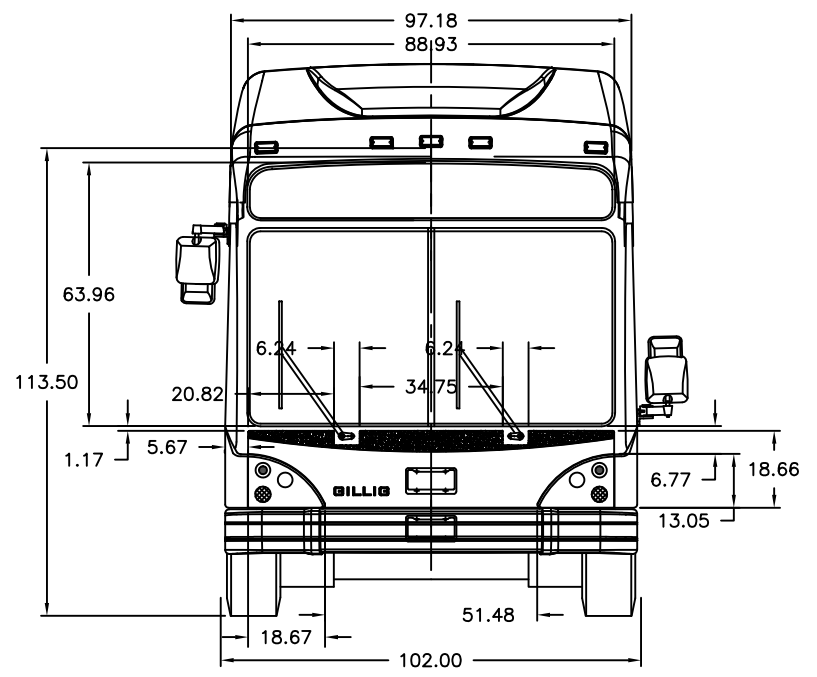
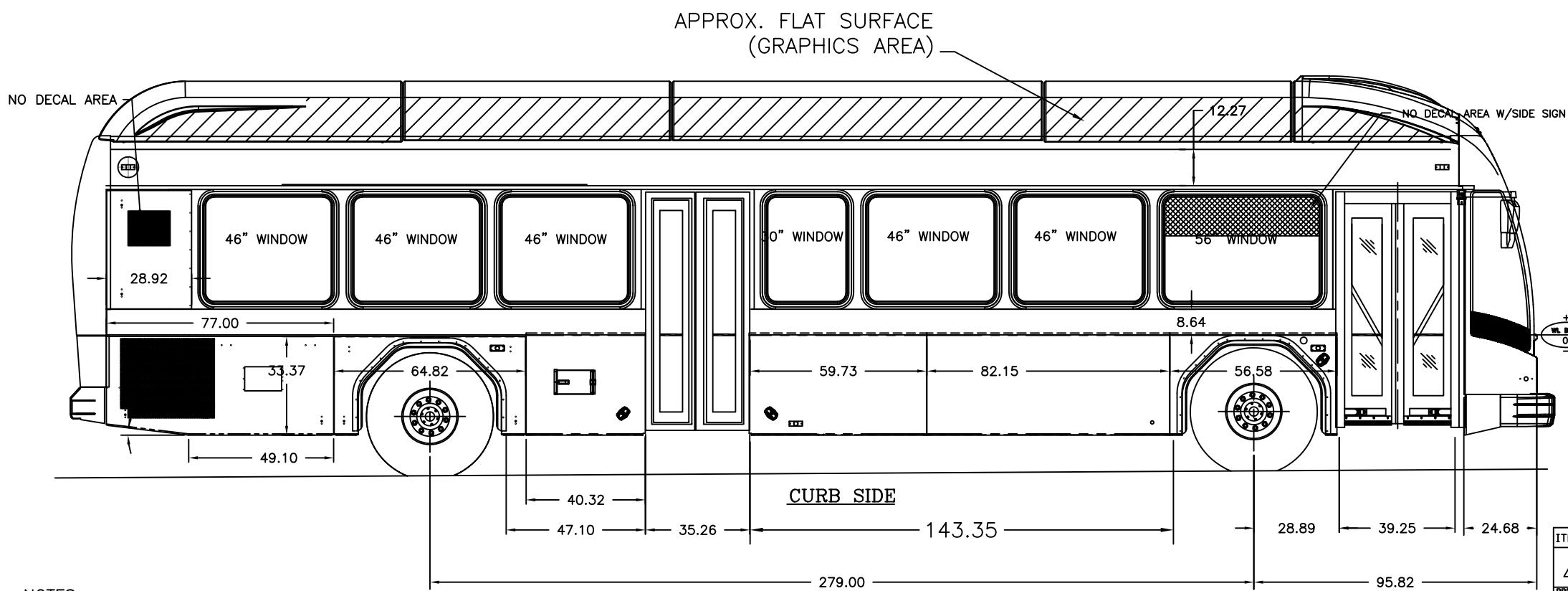
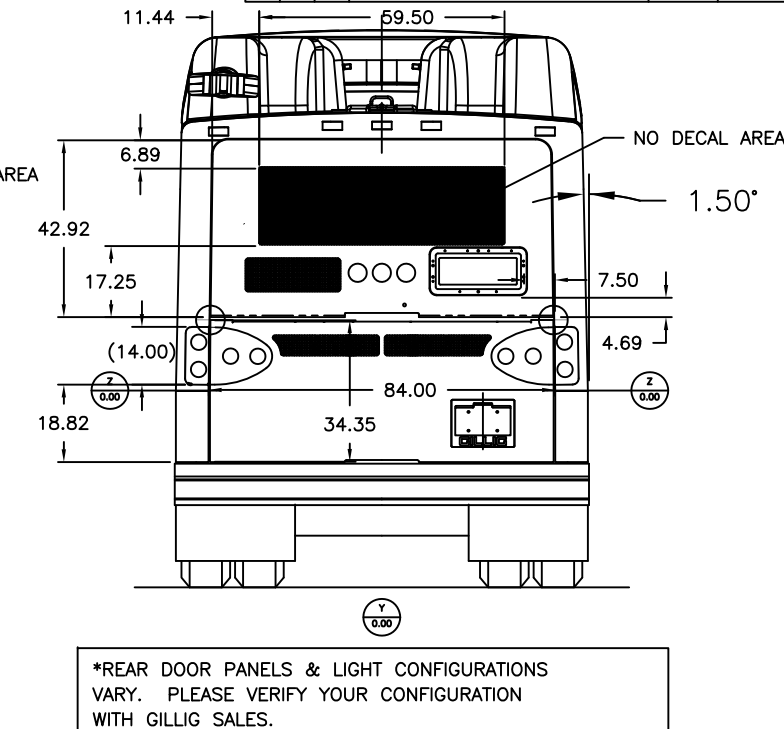
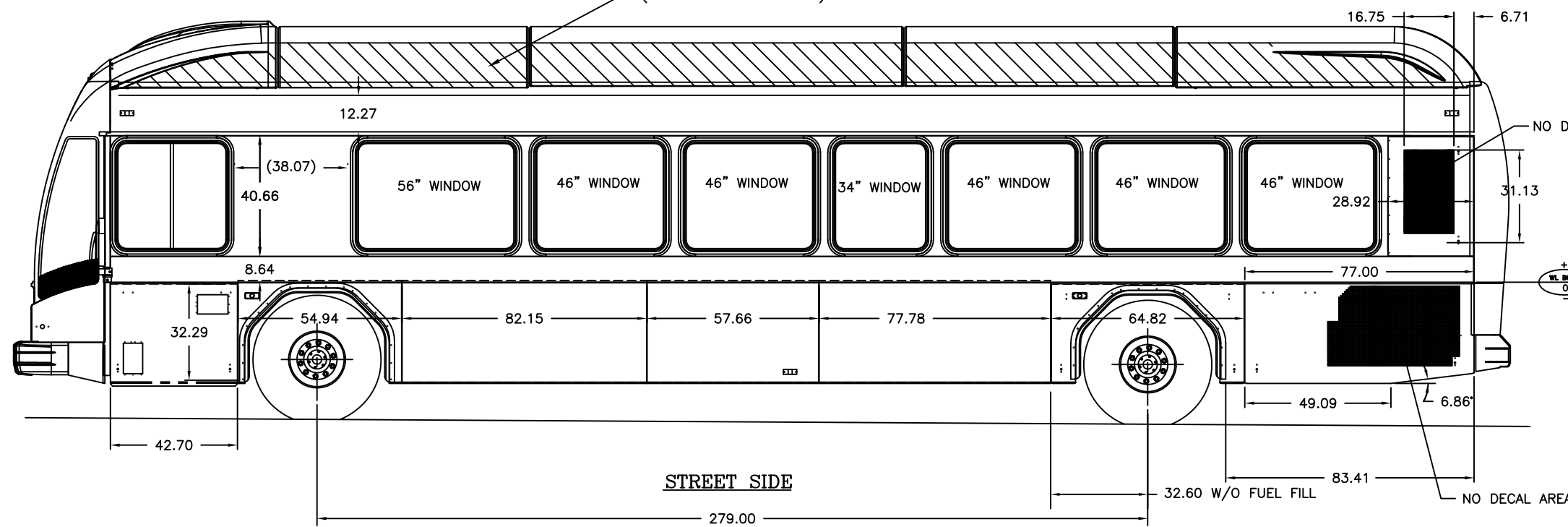


AP	PKP	ADDED 5 TANK FAIRING OPTIONS	143610	01-29-20	AM	PKP	ADDED LOW MTD LED LAMPS ABOVE DOORS	111983	01-09-19	AG	PKP	ADDED OPTION FOR ALLISON BRT PLUS 2 PIECE WINDSHIELD	118660	12-06-16	AB	PKP	ADDED SKIRT PANEL OPTION WITH HIGH MOUNT LAMP FWD & AFT OF RR DOOR	113830	04-01-16
AQ	PKP	ADDED NON SKID SURFACE TO 5 TANK FAIRING LAYOUT ON ROOF DRAWING	143610	01-29-20	AN	PKP	ADDED OPTION FOR SSFL PLUS DIESEL FULL FAIRINGS	136588	03-06-19	AH	PKP	ADDED OPTION FOR SKIRT PANELS WITH CURB LAMPS	118673	12-20-16	AC	PKP	UPDATED REAR VIEW OF DIESEL FAIRING	113426	06-01-16
AR	PKP	ADDED ADDITIONAL PANEL SPOT W/AC ACC. OUTLET	151110	12/09/20	AJ	PKP	ADDED OPTION FOR 17 X 50" REAR ADFRAME	140511	08-29-19	AK	PKP	ADDED OPTION FOR 7" DUALIGHT STOP LIGHT, 2017 HMC GRILLE WITH NEW CAMERA 12	120639	03-30-17	AD	PKP	ADDED CNG FAIRING 120-85 W/AUX CONDENSER TO SHEET 3	115908	07-13-16
AS	PKP	ADDED STD & BRT 5 TANK FAIRING W/CONDENSER OPTION	163175	04/13/22	AL	PKP	ADDED OPTION FOR SSFL PLUS HYBRID FAIRINGS & FRONT LICENSE	121625	06-12-17	AE	PKP	UPDATED DIMENSIONS	111561	07-25-16	AF	PKP	VIA BAE SSFL HYBRID FAIRING STRETCHED 10.1" FWD	116753	08-23-16

REVISIONS				REL.	DATE
SYM	DWN	ZONE	DESCRIPTION		
A			RELEASED FOR PRODUCTION	REI 72345	11-10-09
AA	PKP		REVISED & REDRAWN	REI 113723	03-21-16
			ADDED BAE HYBRID FULL FAIRING FOR STD LOWFLOOR		



- NOTES:
- FOR DRAWING W/O DIMENSIONS, TURN OFF LAYER DIM.
 - WINDOW SIZES SHOWN ARE FOR OPENING WIDTH, NOT FOR GLAZING SIZE.
 - FOR DRAWING W/O OPTIONS, TURN OFF THOSE LAYERS THAT DON'T APPLY.

ITEM NO	DESCRIPTION	QTY
1	GILLIG GILLIG CORP. HAYWARD, CA	
2	WELD PER GILLIG-10688 CLASS	
3	CLEAN/PRIME PER GIL MFG STD 430.003	
4	MARK PART W/PN PER GIL DB #370.002	
5	LH SHVN, RH OPP, PN: NONE	
PROPRIETARY THIS DRAWING AND THE INFORMATION CONTAINED THEREIN SUBMITTED CONFIDENTIALLY AND IS THE PROPERTY OF THE GILLIG CORPORATION. USE, REPRODUCTION, OR DISCLOSURE OF THE CONTENT OF THIS DRAWING OR ANY PORTION THEREOF FOR ANY PURPOSE MUST BE APPROVED IN WRITING BY THE GILLIG CORPORATION.		
REMOVE ALL BURRS, BREAK SHARP EDGES		
DIMENSIONING AND TOLERANCING ARE PER ANSI Y14.5M-1982 UNLESS OTHERWISE SPECIFIED TOLERANCES ARE IN INCHES:		
DECIMALS	ANGULAR	THIRD ANGLE
X ± .06	± .5°	
XX ± .03		
XXX ± .010		
IST S.D.		
TITLE: LAYOUT PAINT SCHEME 40 X 102 SSFL/BRT 2010 W/34" RR DOOR		
DWN: PKP	DATE: 11-10-09	MATER'L SPEC:
CHKR'S INIT:	DATE:	MFG STD:
APPR'S INIT:	DATE:	FWSS COMPL: STD NO 302
DRG REL #: REI 72345	SIZE DOCUMENT NO:	
CAD SCALE: 1/48 = 1.0	B	10-65572-000