

**WALL MOUNT - INTERACTIVE  
VOICE COMMUNICATION UNIT**

The **CB 2-e** is our most popular and cost effective wall mounted unit. Available in brushed stainless steel or optional painted steel, it is designed for both interior and exterior applications. The combination blue beacon/strobe provides a rugged and reliable solution for the security conscious customer.

The exclusive analog InterAct and VoIP speakerphones are designed for maximum reliability, vandal resistance, auxiliary functions, mass notification control, and fault monitoring and reporting capability.

The **CB 2-e** is an excellent choice for parking decks, dorm entrances, hallways and public transit centers.

**STANDARD FEATURES**

- ▶ Analog and VoIP speakerphone options
- ▶ ToolVox® compatible with Blue Alert® MNS and Blue Alert EMS
- ▶ IA4100
  - ▶ 2 Inputs - These are simply NO dry contact
  - ▶ 3 Outputs - Can be configured NO or NC
  - ▶ 1 Line Level Audio Output 600 ohm
- ▶ IP5000
  - ▶ 1 input - This is a NO dry contact
  - ▶ 2 Outputs - Each can ONLY be configured NO
  - ▶ 1 Line Level Audio Output 600 ohm
- ▶ 2 Auxiliary inputs/3 Auxiliary outputs (3 NO or 3 NC)
- ▶ 12 gauge, 4B brushed stainless steel housing
- ▶ High output combo LED beacon/strobe
- ▶ 24V AC power
- ▶ ADA compliant
- ▶ Wall mounting kit
- ▶ UV resistant lenses
- ▶ Vandal resistant hardware
- ▶ Phone line surge suppressor
- ▶ Ultra-weather resistant finish

**OPTIONAL FEATURES**

- ▶ Two-button speakerphone w/keypad
- ▶ Two-button speakerphone
- ▶ Painted finish
- ▶ Camera or card reader
- ▶ Custom colors and graphics
- ▶ Step-down multi-tap power transformer
- ▶ Power over Ethernet
- ▶ Public Address Speaker
- ▶ AED Housing



### UNIT SPECIFICATIONS

Overall Height	32.2" (81.79 cm)
Width	12.1" (30.73 cm)
Depth	7.88" (20.02 cm)
Housing Material, stainless steel	0.105" (0.27 cm)
Overall Weight	52 lbs. (23.59 kg)
Standard Power Requirements	24V AC @ 15w

### RATINGS

UL	UL 60950-1 and UL 2017
IP	IP56
NEMA	4X

### UNIT FINISH COLORS

Standard Painted Finish	British Racing Green, Cardinal Red, Dark Bronze, Gloss White, Gloss Black, Medium Bronze, Midnight Blue, Safety Blue, Safety Red, Safety Yellow, Tiger Orange, Bright Silver
Custom Painted Finish	Custom colors from Pantone® color chart or sample are available as a special order

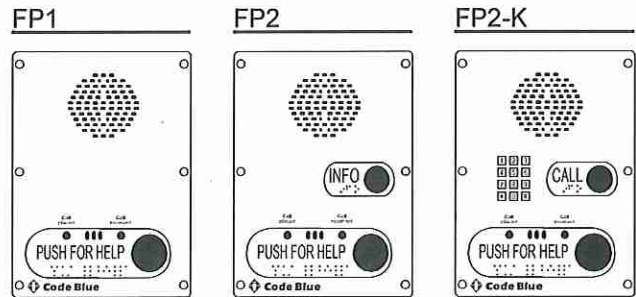
### GRAPHICS TEXT (WORDING)

Standard	Assistance, Courtesy, Emergency, Police, Security, Information, Help Point
Custom	Custom text graphics are available as a special order

### GRAPHICS TEXT COLORS

Standard (reflective decal)	Black, Blue, Green, Red, White, Yellow
Custom	Custom colors from Pantone color chart or sample are available as a special order

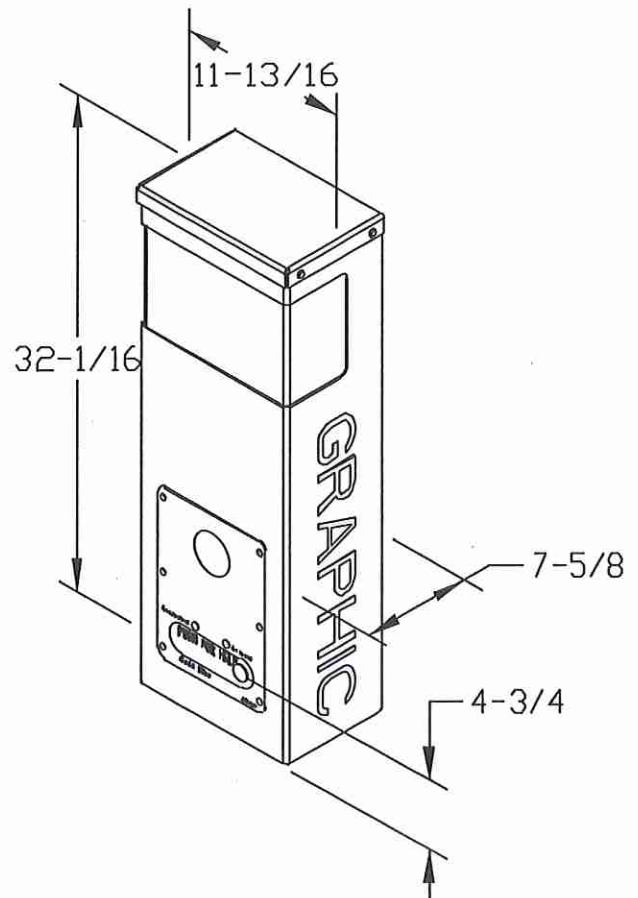
### FACEPLATE OPTIONS



Standard faceplate assembly with single red **PUSH FOR HELP** button

Optional faceplate assembly with additional black **INFO** button

Optional faceplate assembly with additional **CALL** button and keypad



- Mounting hardware and template for unit is shipped in advance for foundation work.
- Specifications subject to change without notice or obligation on the part of the manufacturer.